

"TONALITY®" clay tile façade system

- ① "TONALITY®"- clay tile
- ② "TONALITY®"- carrier-profile for clay tile
- ③ "TONALITY®"- joint-profile metal

subconstruction according to structural calculations

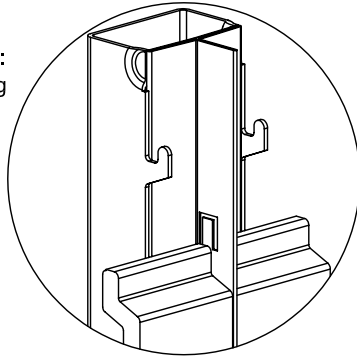


"TONALITY®"- clay tile façade various versions of joint by using Adaptivsystem

dwg. A01-0

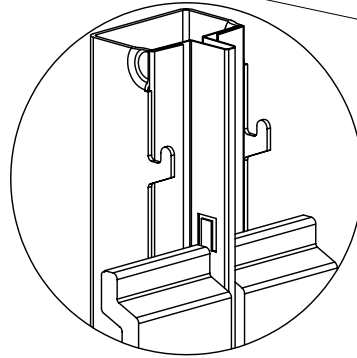
dwg 200-10

2 mm joint,
finish of joint-profile:
RAL powder coating

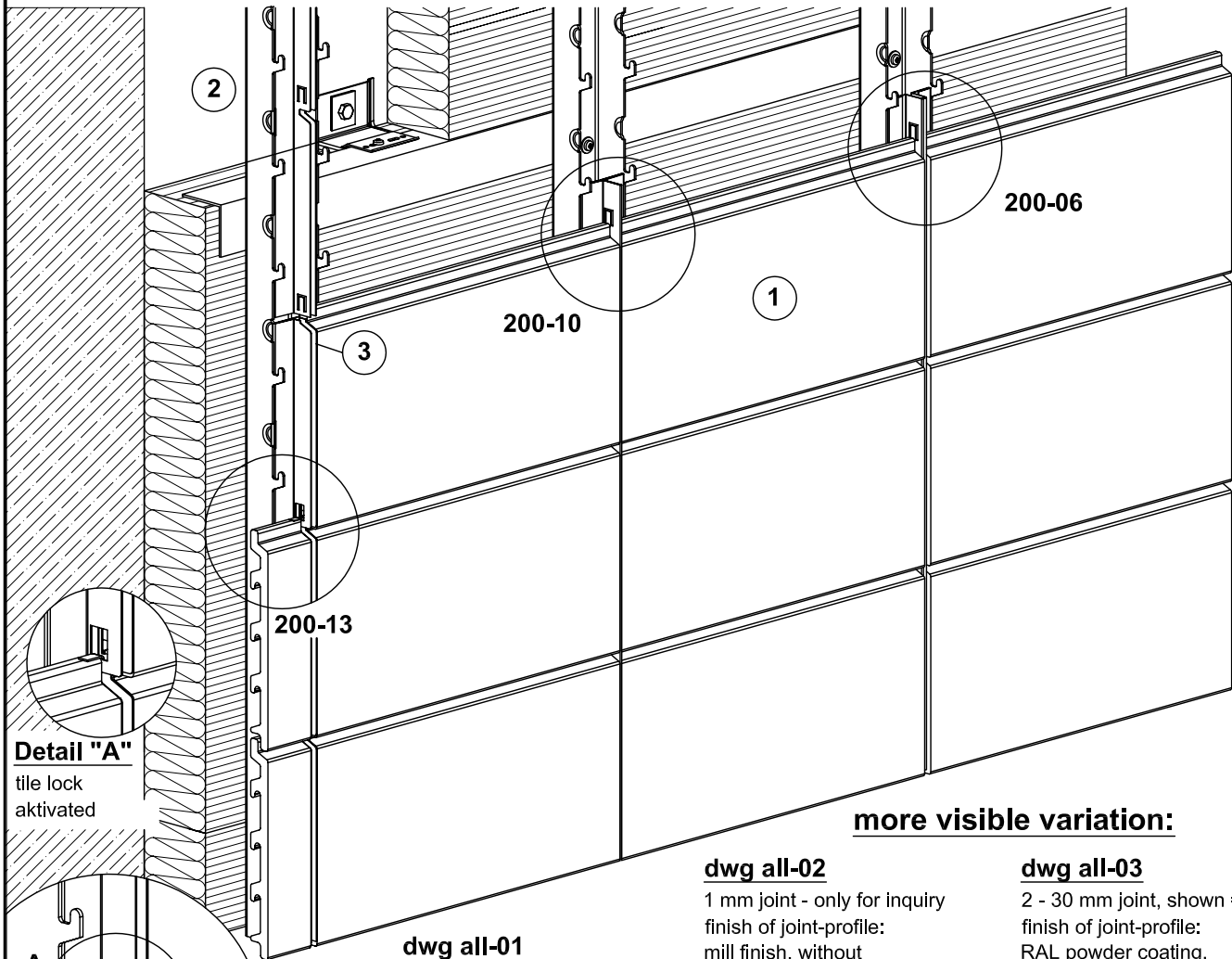


dwg 200-06

8 mm joint,
finish of joint-profile:
RAL 7021 black-grey,
dull

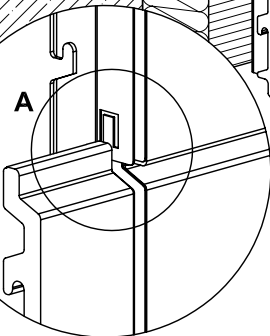


shown are tiles with module 200 and suitable teeth- and joint-profiles



Detail "A"

tile lock
aktivated



dwg 200-13:

coping at horizontal joint,
joint 8 mm

INDUSTRIAL RIGHTS APPLIED FOR
subject to amendments, issued 2003-05

more visible variation:

dwg all-02

1 mm joint - only for inquiry
finish of joint-profile:
mill finish, without
tile lock

dwg all-03

2 - 30 mm joint, shown = 30 mm
finish of joint-profile:
RAL powder coating,
without tile lock

