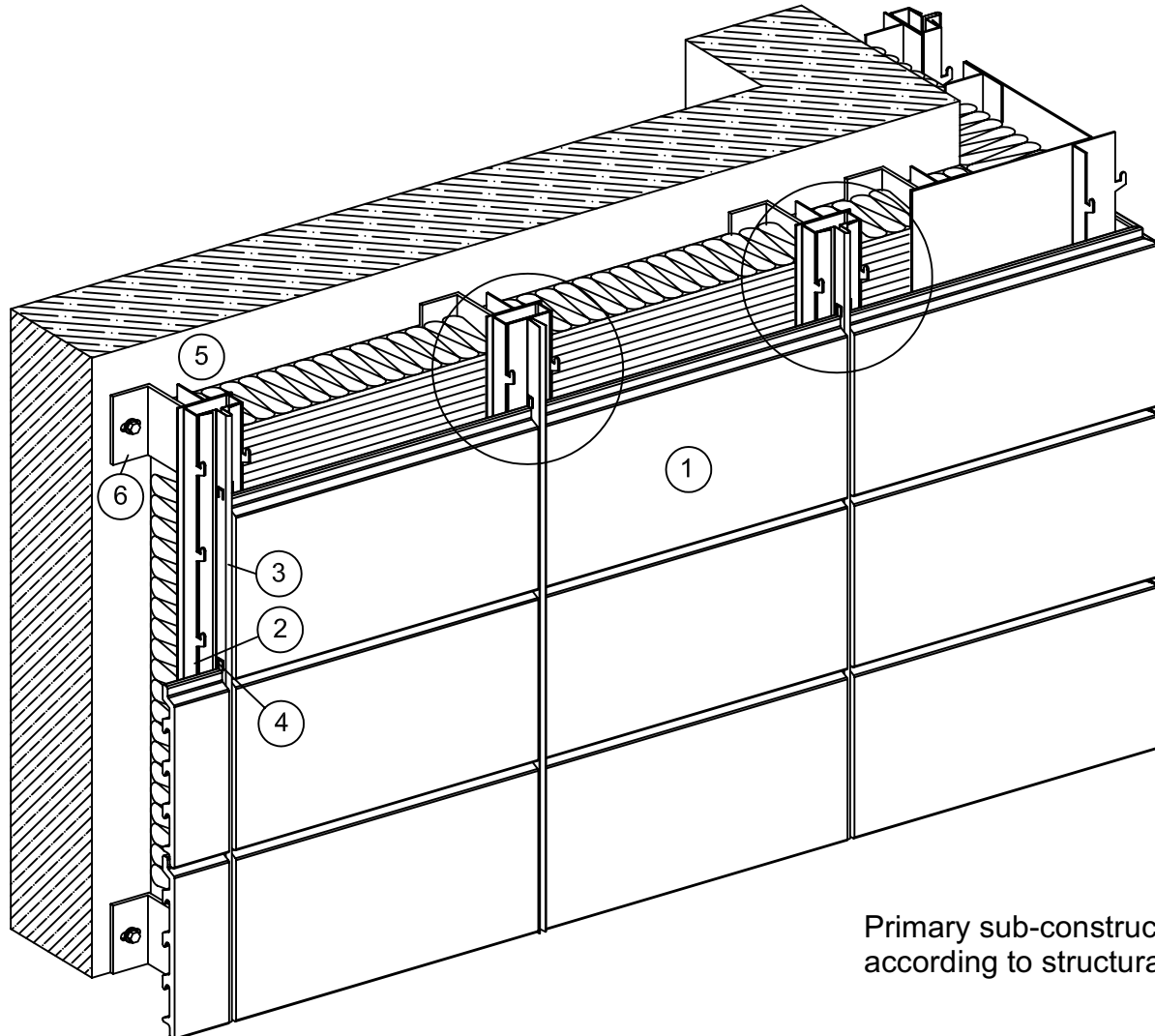


“TONALITY®”-Clay tile facade system

1. “TONALITY®”-Cladding tile
2. “TONALITY®”-Adaptive vertical profile metal
3. “TONALITY®”-Adaptive joint profile metal
4. “TONALITY®”-Protection against dismantling
5. Primary sub-construction aluminum T-profile (performed by installer)
6. Primary sub-construction aluminum wall fastening (performed by installer)

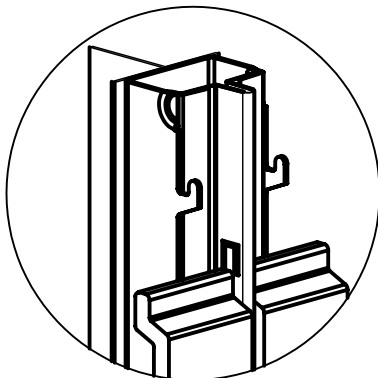
“TONALITY®”-Clay tile facade
**Adaptive system (ADS) on
vertical sub-construction**
Overview and joint options

ANo. ADS 100-01v

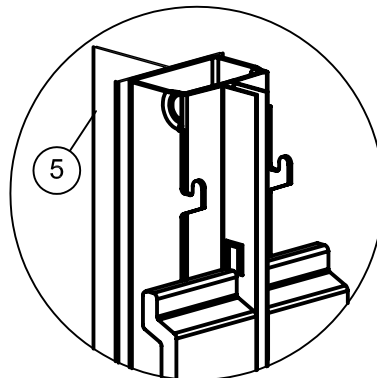


Primary sub-construction
according to structural analysis

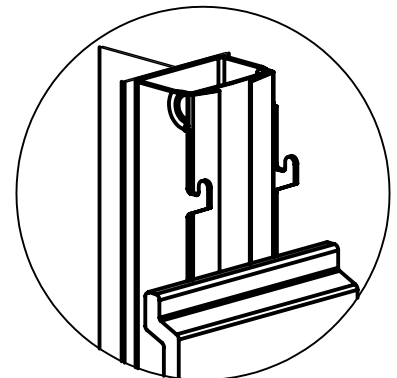
closed joint profile
see ANo. dwg 200-06
joint 9 mm



open joint profile
see ANo. dwg 200-13
joint 9 mm



end profile for border
see ANo: dwg all-01
No protection against dismantling



**Overview adaptive system
with vertical sub-construction**