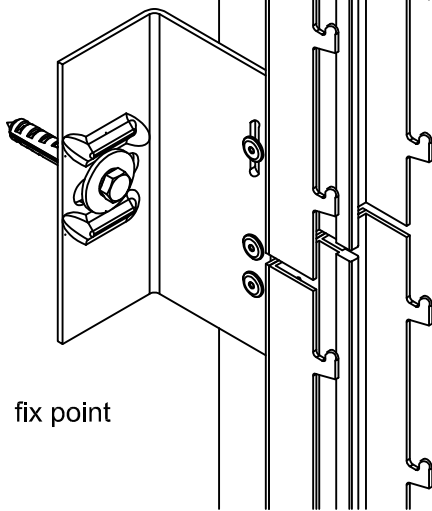


"TONALITY®"- clay tile façade
 vertical primary brackets

dwg. C04-1

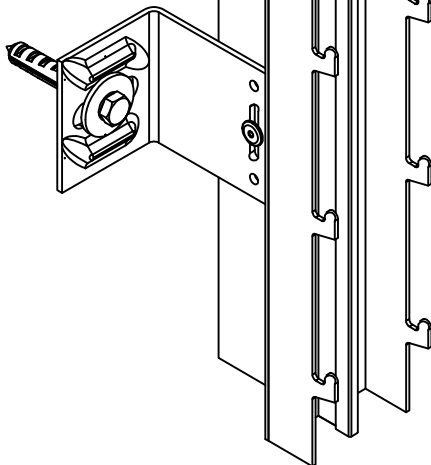
expansion point



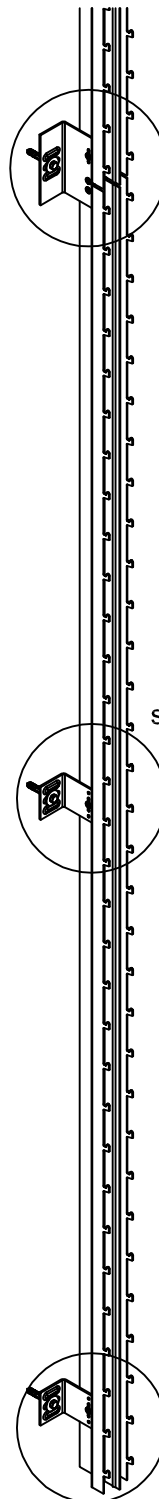
A 0.4:1

fix point

expansion point



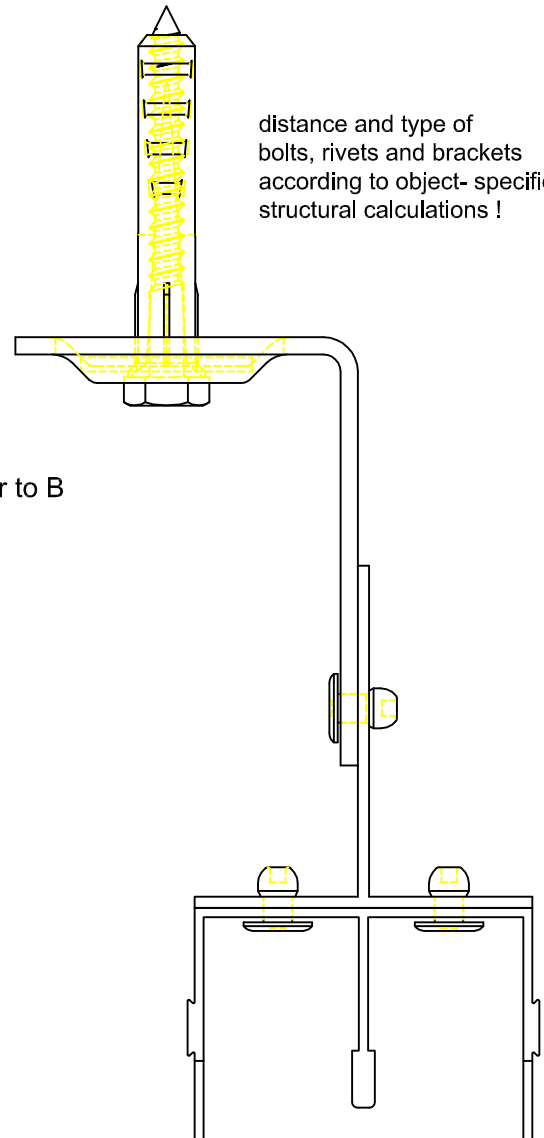
B 0.4:1



A

similar to B

B



distance and type of
 bolts, rivets and brackets
 according to object- specific
 structural calculations !