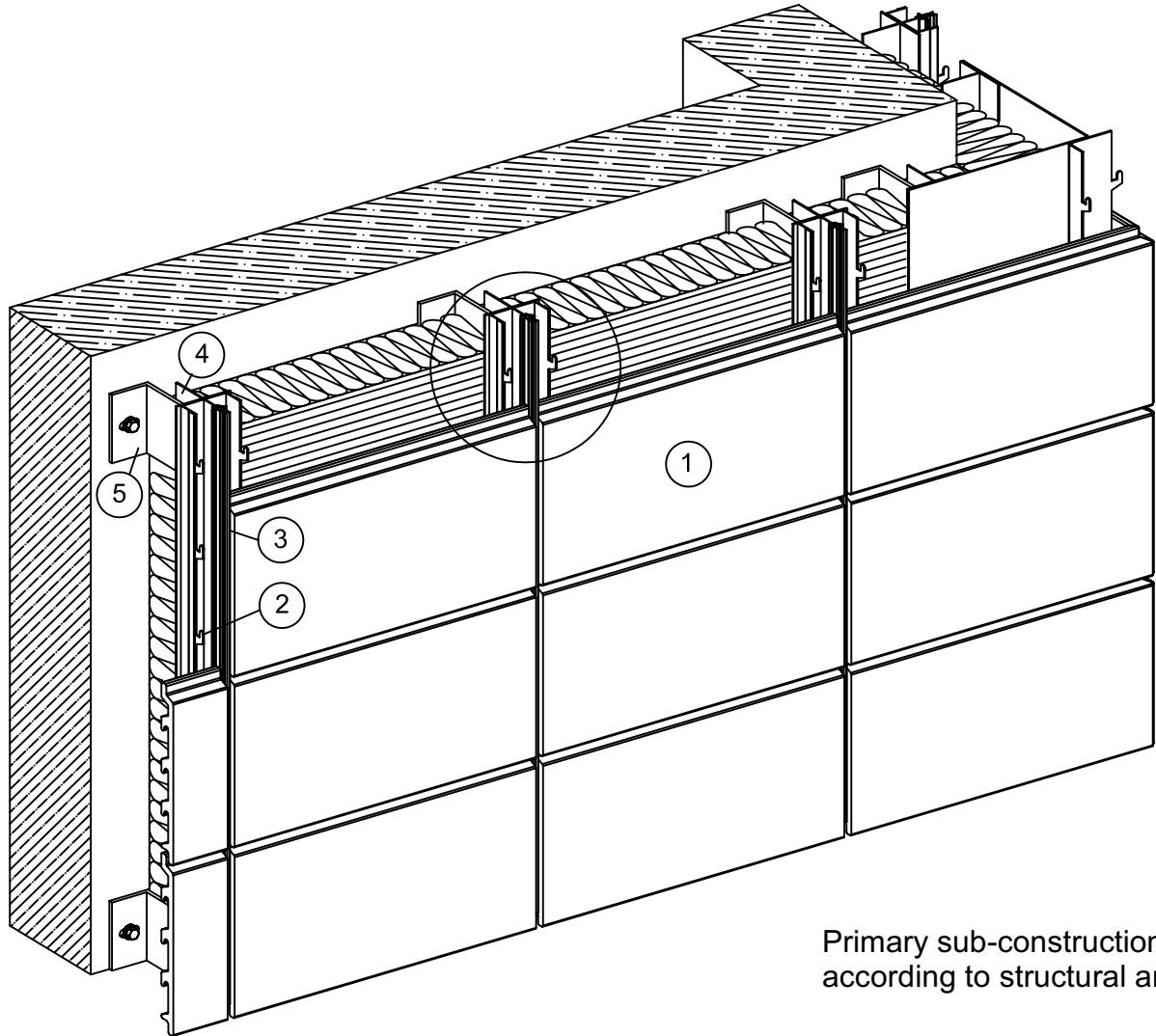


"TONALITY®"-Clay tile facade system

1. "TONALITY"-Cladding tile
2. "TONALITY"-Classic vertical profile metal
3. "TONALITY"-Classic joint profile Neoprene
4. "TONALITY"-Protection against dismantling
5. Primary sub-construction aluminum T-profile (performed by installer)
6. Primary sub-construction aluminum wall fastening (performed by installer)

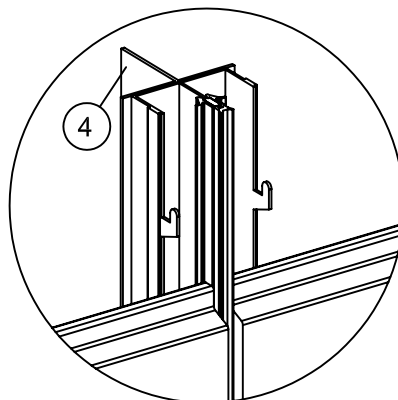
"TONALITY®"-Clay tile facade
Classic profile system (CLS)
on vertical sub-construction

ANo. CLS 300-01v



Primary sub-construction
according to structural analysis

Neoprene joint profile
black



**Overview classic system
with vertical sub-construction**