

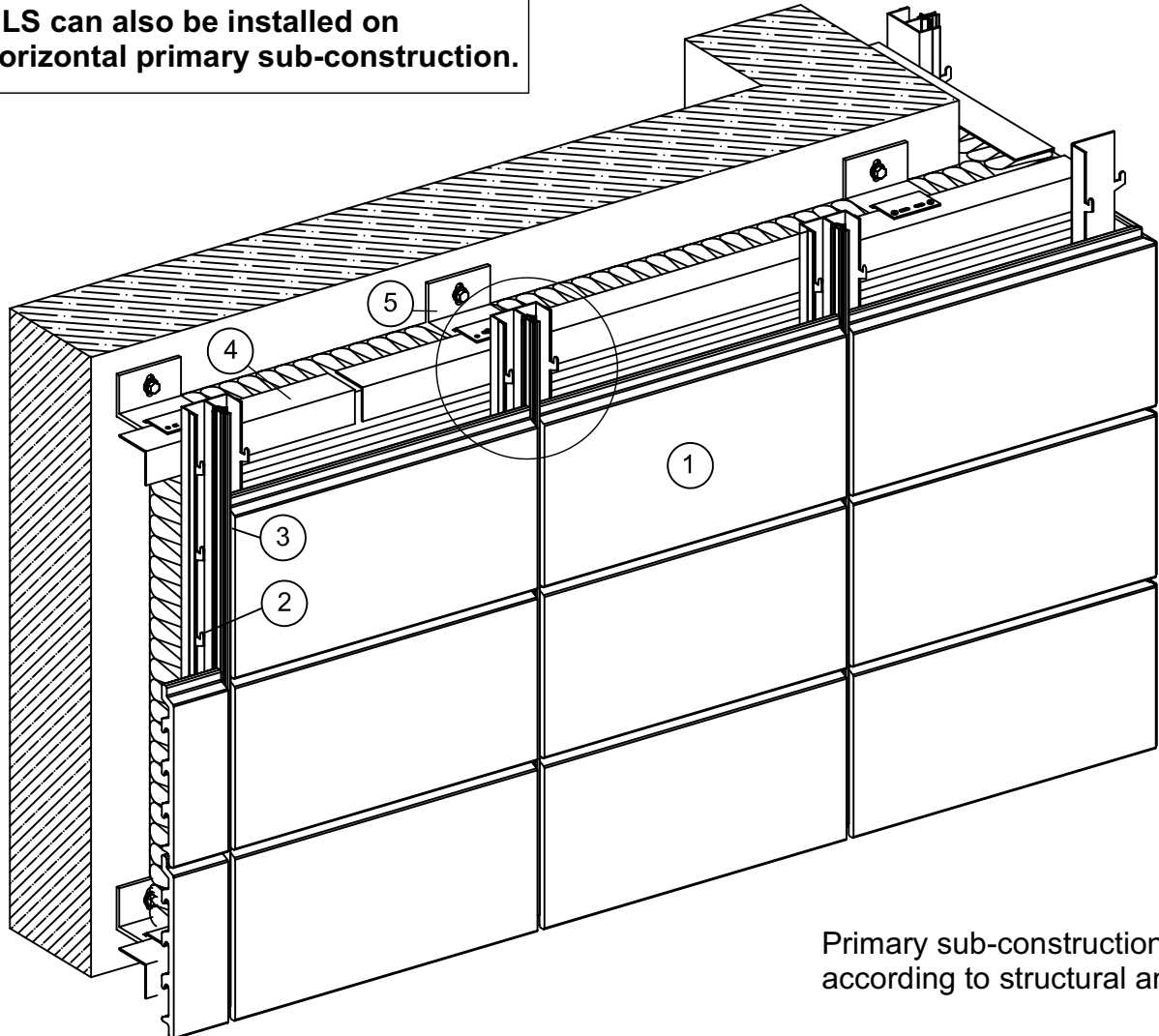
“TONALITY®”-Clay tile facade system

1. “TONALITY®”-Cladding tile
2. “TONALITY®”-Classic vertical profile metal
3. “TONALITY®”-Classic joint profile Neoprene
4. Primary sub-construction aluminum L-profile (performed by installer)
5. Primary sub-construction aluminum wall fastening (performed by installer)

“TONALITY®”-Clay tile facade
Classic profile system (CLS)
on horizontal sub-construction
Overview and joint options

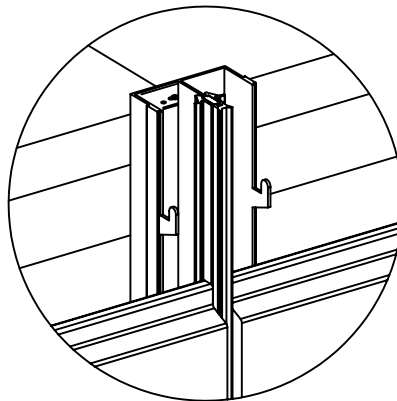
ANo.CLS 300-01h

CLS can also be installed on horizontal primary sub-construction.



Primary sub-construction according to structural analysis

Neoprene joint profile black



Overview classic system with horizontal sub-construction