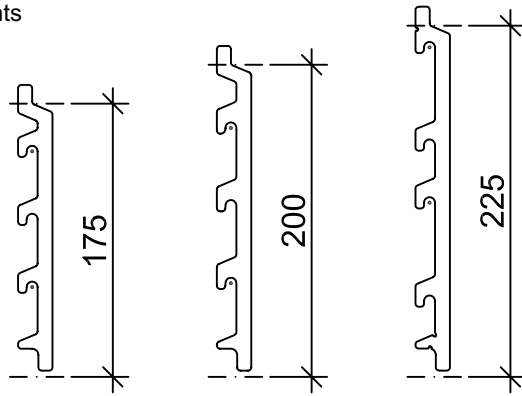


“TONALITY®”-Cladding tiles

- Insertion points



“TONALITY®”-Clay tile facade
Classic profile system (CLS)
Tile grid heights/Insertion points

ANo. CLS 300-06

Grid (Height - Width ratio)

175 x 1.100

200 x 1.100

225 x 1.100

Tile grid heights