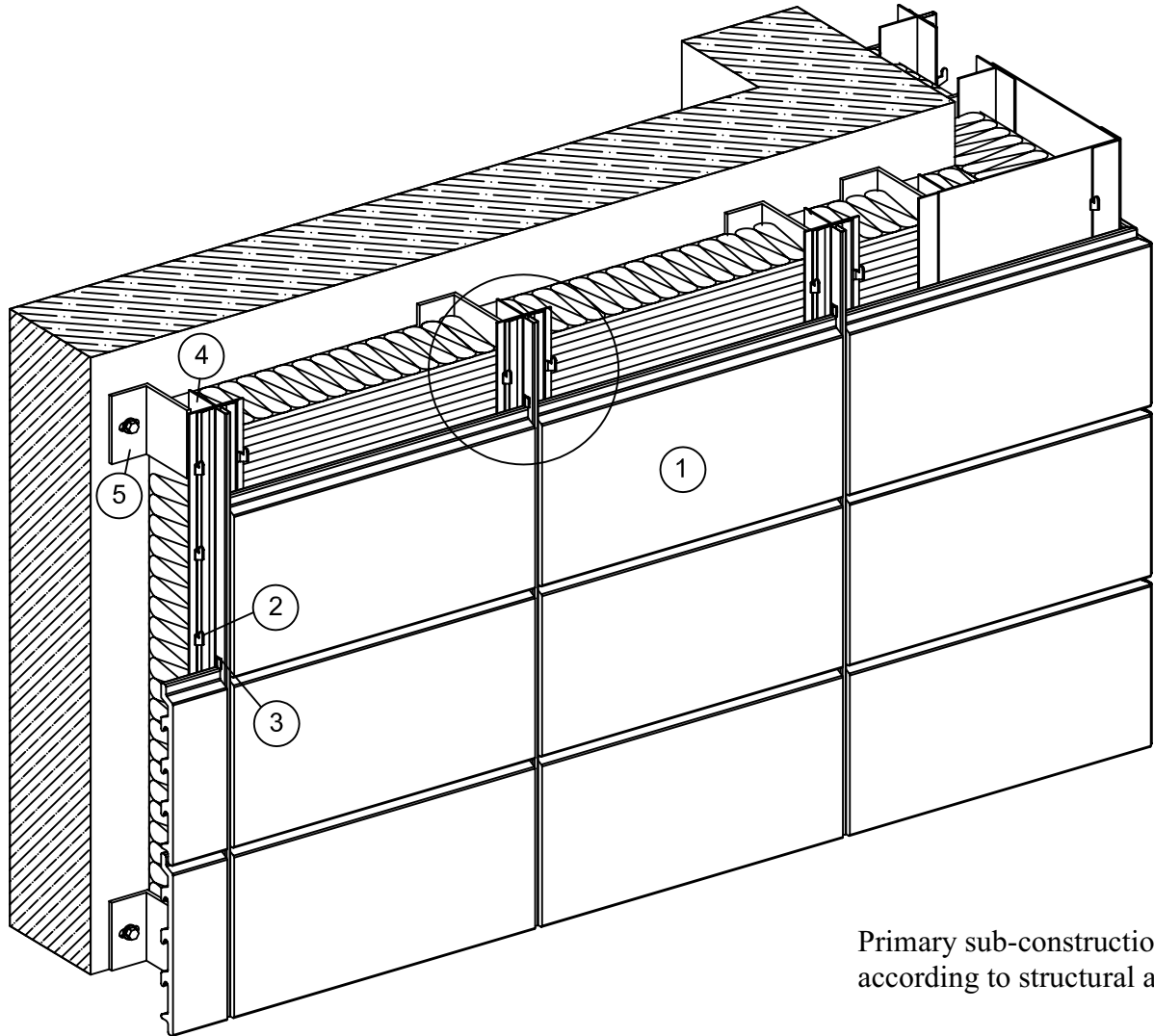


"TONALITY®"-Clay tile facade system

1. "TONALITY®"-Cladding tile
2. "TONALITY®"-Base clinch rail system
3. "TONALITY®"-Protection against dismantling
4. Primary sub-construction aluminum T-profile (performed by installer)
5. Primary sub-construction aluminum wall fastening (performed by installer)

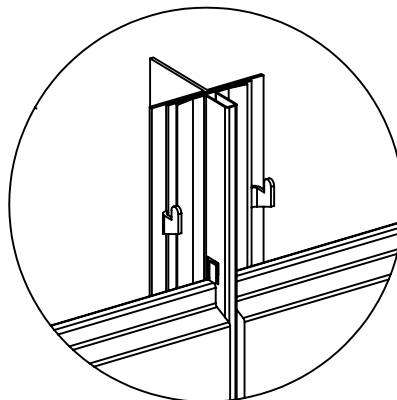
"TONALITY®"-Clay tile facade
Base clinch rail system (BAS)

ANo. BAS 200-01



Primary sub-construction
according to structural analysis

closed joint
joint 9mm



Overview base clinch rail system